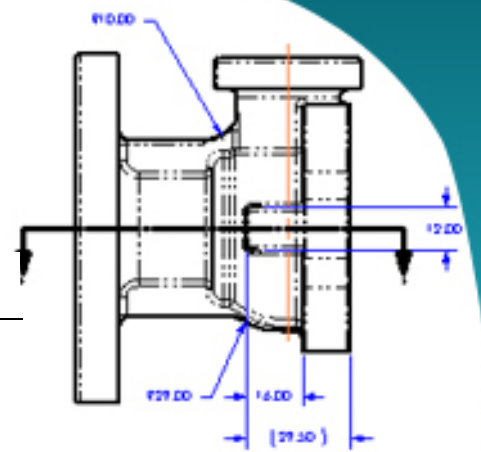
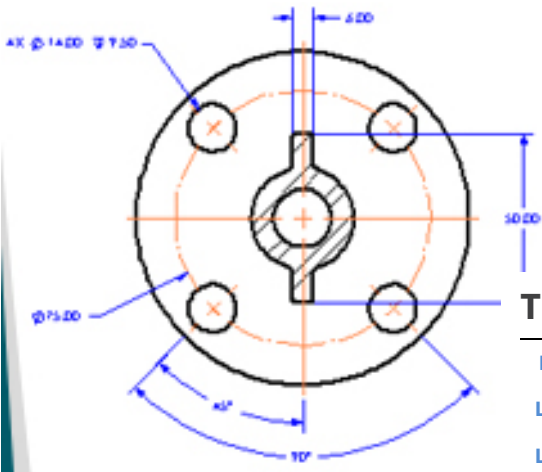


SolidWorks Drawing Training



THE TOPICS COVERED IN THIS COURSE ARE:

- | | | | |
|-----------------|-----------------------------|-----------------|-----------------------------------|
| LESSON 1 | Drawing Sheets and Views | LESSON 5 | Assembly Drawing Views |
| LESSON 2 | Dimensions | LESSON 6 | Bill of Materials and Tables |
| LESSON 3 | Annotations | LESSON 7 | Performance and Display Issues |
| LESSON 4 | Sheet Formats and Templates | LESSON 8 | Drawing References and Comparison |

Length: 2 days

Prerequisites: SolidWorks Essentials

Description: This course teaches you how to make drawings of SolidWorks parts and assemblies.

Lesson 1: Drawing Sheets and Views

Drawing Sheets and Views
Terminology
Drawing Views
Sketching in Drawing Views
View Settings
Centermarks and Centerlines
Model Edges in the View

Lesson 2: Dimensions

Dimensions
Moving and Deleting Dimensions
Dimension Properties

Lesson 3: Annotations

Adding Annotations
Annotation Types
Blocks

Lesson 4: Sheet Formats and Templates

Sheet Formats and Templates
Drawing Templates
Properties in the Template
User Defined Properties
Customizing a Sheet Format
Importing Legacy Data
Updating Sheet Formats

Lesson 5: Assembly Drawing Views

Assembly Drawing Views
Creating Views of Assemblies

Lesson 6: Bill of Materials and Tables

Creating and Managing a Bill of Materials
The Bill of Materials
Adding a BOM
Modifying the BOM
Tabulated Bill of Materials
Design Tables in the Drawing

Lesson 7: Performance and Display Issues

Performance and Display Issues
Large Assembly Mode
Lightweight Drawings
Detached Drawings
Display Issues in Drawing Views

Lesson 8: Drawing References and Comparison

Reusing a Drawing File
Changing Drawing References
Using DrawCompare
Design Checker

Appendix A: Preparations for Detailing

Appendix B: Drawing Sheets and Views

Appendix C: Center Marks and Centerlines

Appendix D: Dimensions

Appendix E: Annotations

Appendix F: Sheet Formats and Templates

Appendix G: Assembly Drawing Views

Appendix H: Bill of Materials and Tables

Appendix I: Settings